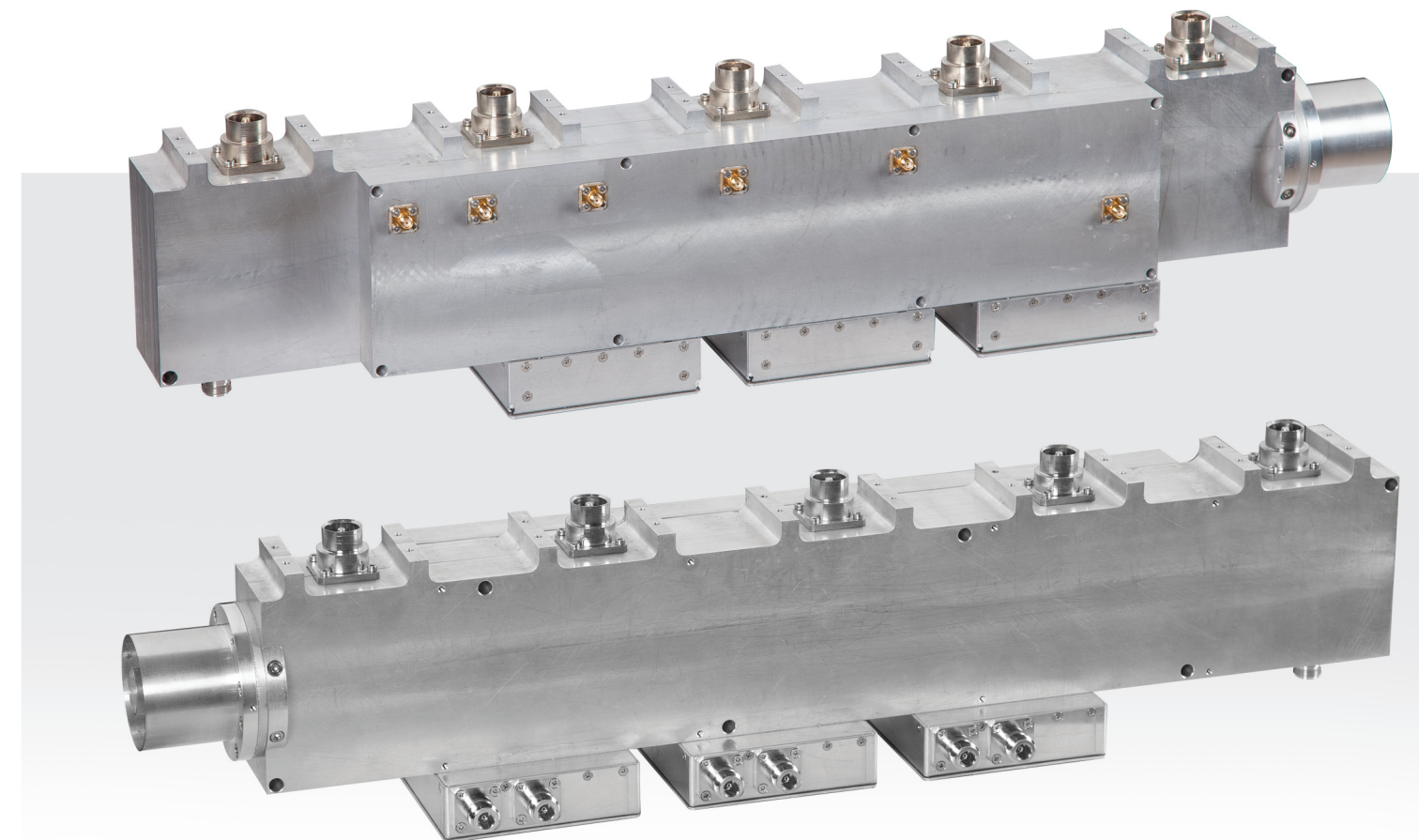



Brief Specifications

Part Code	FAU5WCOSP3
Frequency Range	470 MHz ~ 862 MHz
Combiner Specification	
Inputs connectors	EIA 7/8" male (default) 7/16 female 7/16 hot-plug male
Output connectors	2560 female (default) 3 1/8" EIA female
Absorber loads	7/16 female (default) N-type female
Input power	1 kW
Output power	5 kW
Architecture	Progressive coupled striplines sections
Inputs return losses	>30 dB (@ all ports)
Total insertion loss	<0.1 dB
Inputs isolation	>30 dB
Input-output couplings	-6.99dB ± 0.65dB (in fixed combiner) Tunable in a single channel (in tunable combiner)
Inputs spacing	3 U
Body	Aluminum
Current carrying strips	Silver-plated copper
Splitter Specification	
Inputs connector	SMA female
Output connectors	SMA female
Architecture	Progressive phase-compensated coupled microstrip sections
Return losses	>20dB
Inputs isolation	>26 dB
Input-output couplings	-7.8dB ± 0.7dB
Input power (Max)	28 dBm
Mechanical Specifications	
Combiner weight	~ 8 Kg
Splitter weight	~ 1.5 Kg
Liquid cooling and absorber loads weight	~ 4.5 Kg



FARA AFRAND CO.

Address : No. 11, 8th Alley, Shahid Sabounchi Ave,
Shahid Beheshti St. Tehran, 15337, Iran

 (+98) 21 8874 3574-6

 (+98) 21 8874 3577

 info@fara-afrand.com

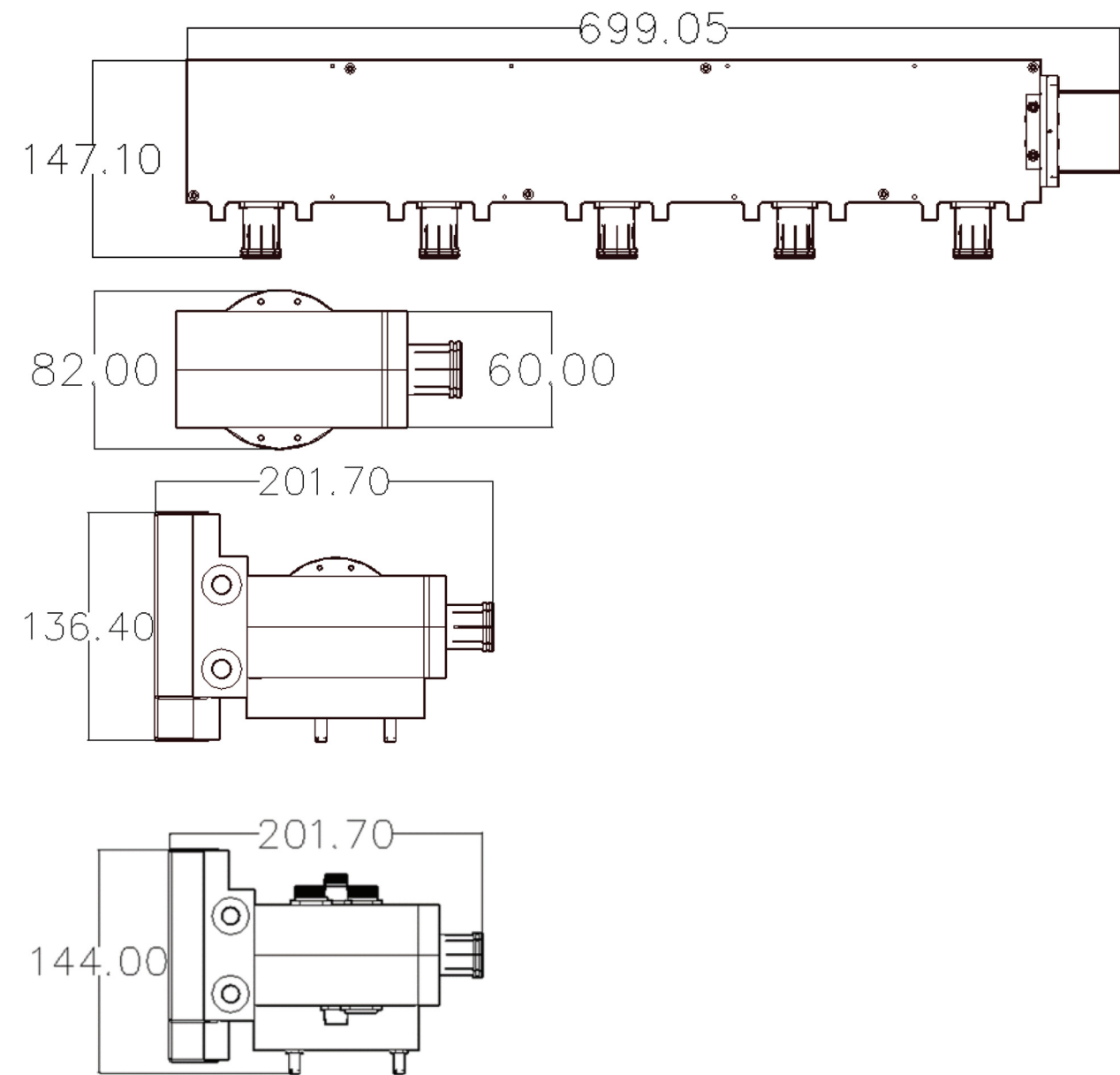
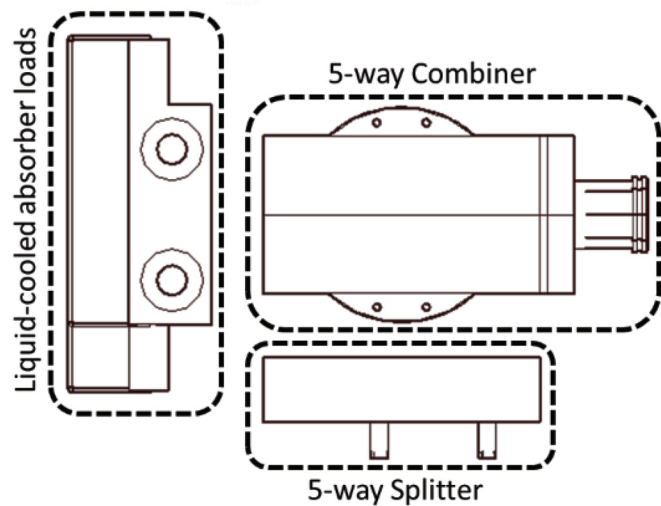
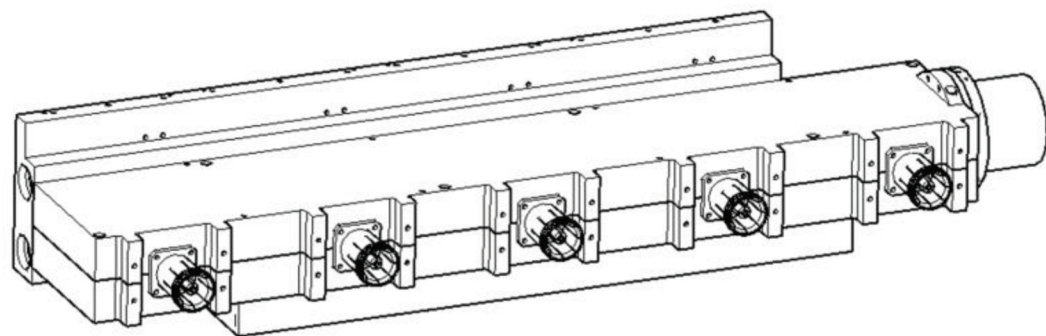
 www.fara-afrand.com

UHF liquid-cooled 5Way Combiner & Splitter (3U)

Fara-Afrand Co. Liquid-Cooled UHF Combiners & Splitters

- Standard Rack-Units based inputs offsets
- 2-way up to 9-way progressive architectures
- Built-in phase compensation in splitter units
- Fixed/tunable variations
- Varieties of connectors and accessories
- Separable mounted absorber loads and liquid-cooling units

UHF liquid-cooled 5Way Combiner & Splitter (3U)



Dimensions are in mm.

